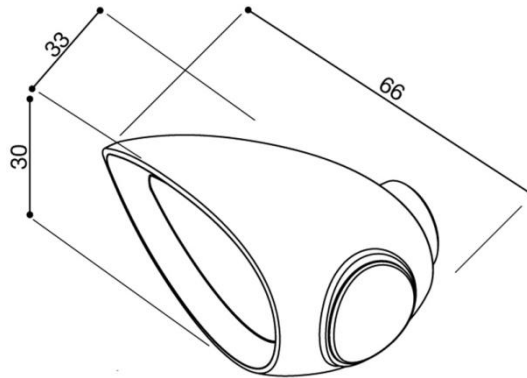


E4 E4-50R-00.2000.01

Issued by:	RDW – Vehicle Technology Division Zoetermeer Europaweg 205 PO Box 777 2700 AT Zoetermeer
Place & Date of type-approval:	Zoetermeer, 23.07.2013
Report No.:	TW050-B0-130194
Issued by:	TÜV NORD Mobilität GmbH & Co. KG Institut für Fahrzeugtechnik und Mobilität Adlerstr. 7, 45307 Essen Germany
Date of issue:	11.07.2013
Approval identification:	E4-50R-00.2000.01

Product Codes: FR027B, FR027CH.

Technical Drawing:



Marking:	Printed in low relief by stamping.
Field of application:	2 or 3 wheel motorcycles and vehicles treated as such. (PTWs, ATVs, Scooters, Motorcycles, Moped)

