

E9

50R-E9-00.1510

Issued by: Ministerio de Industria, Turismo y Comercio
Subdirección General de Calidad y Seguridad Industrial
P. de la Castellana 160
P.C. 28046 Madrid - Spain

Place & Date of type-approval: Madrid, 24.01.2008

Report No.: A0801009

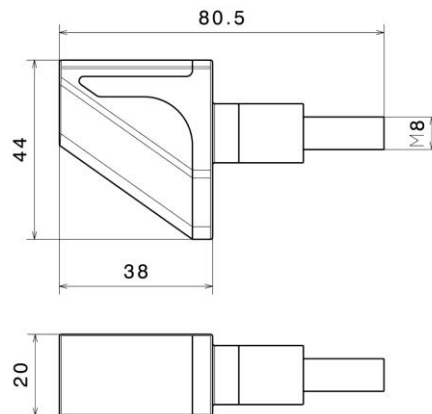
Issued by: IDIADA - Institute for Applied Automotive Research
L'albornar – P.O.Box 20
E – 43710 Santa Olívia (Tarragona) - Spain

Date of issue: 23.01.2008

Approval identification: 50R-E9-00.1510

Product Codes: FR025A, FR025B.

Technical Drawing:



Marking: Printed in low relief by stamping.

Field of application: 2 or 3 wheel motorcycles and vehicles treated as such.
(PTWs, ATVs, Scooters, Motorcycles, Moped)

