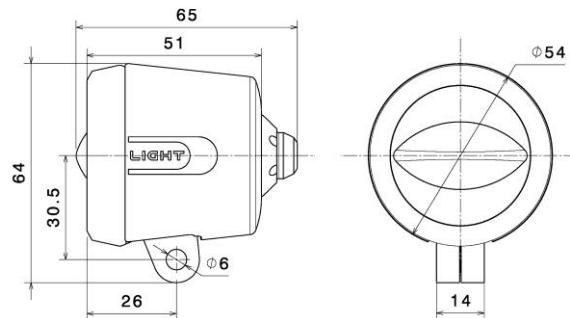


E4

190351

Issued by:	DEKRA Certification B.V. – Photometry
Place & Date of type-approval:	Arnhem, 09.09.2015
Report No.:	2182211-PHO 15-082-12
Issued by:	DEKRA Certification B.V. Meander 1051, 2825 MJ Arnhem P.O. Box 5185, 6802 ED Arnhem, The Netherlands
Date of issue:	09.09.2015
Approval identification:	E4 190351

Product Codes: EE140**Technical Drawing:**

Marking:	Printed in low relief by stamping.
Field of application:	2 or 3 wheel motorcycles and vehicles treated as such. (PTWs, ATVs, Scooters, Motorcycles, Moped)

