

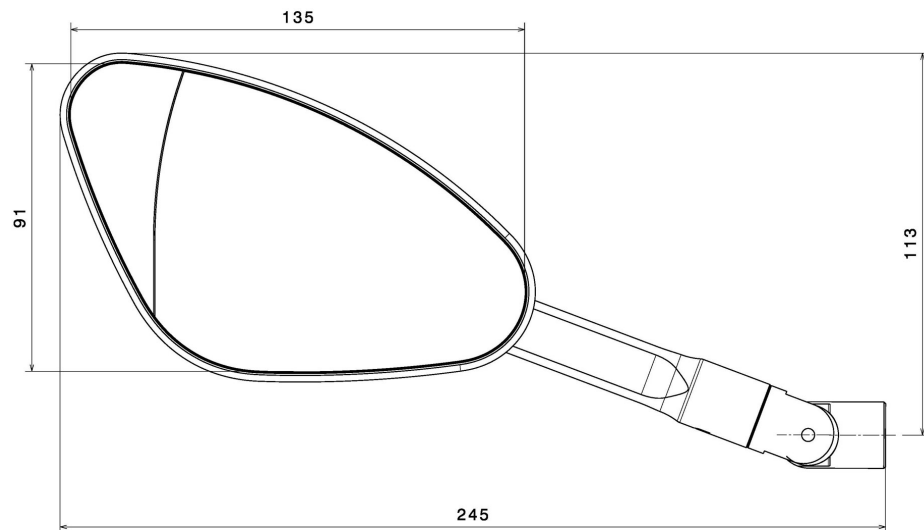
E1

000098

Issued by:	Kraftfahrt-Bundesamt DE-24932 Flensburg Germany
Place & Date of type-approval:	Flensburg, 28.01.2019
Place & Date of extended approval:	Flensburg, 24.01.2019
Report No.:	19-00008-CP-BWG-00
Issued by:	TÜV SÜD Auto Service GmbH DE-80686 München
Date of issue:	12.02.2019
Approval identification:	E1 000098

Product Codes: BS173A, BS173B, BS173Z, BS174A, BS174B, BS174Z

Technical Drawing:



Marking:	Engraved by laser.
Field of application:	2 or 3 wheel motorcycles and vehicles treated as such. (PTWs, ATVs, Scooters, Motorcycles, Moped)